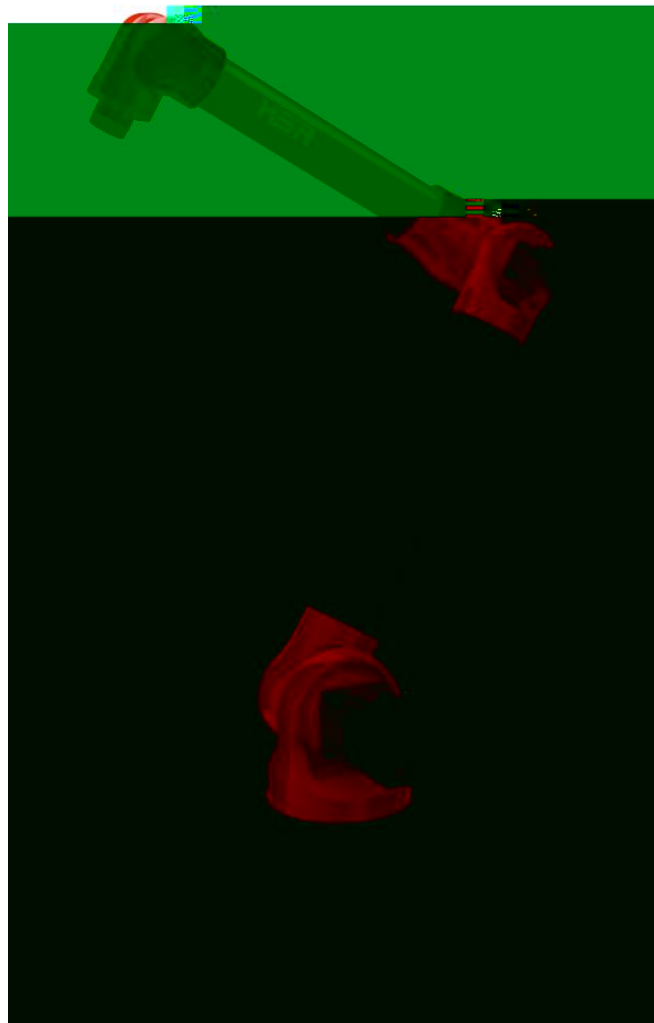


V2.0



” ” ”

”

	I
	III
1	1
1.1	1
1.1.1	1
1.1.2	3
1.2	5
1.3	6
2	7
2.1	7
2.2	8
2.3	9
2.3.1	9
2.3.2	10
2.4	12
2.4.1	12
2.4.2	12
2.5	14
2.5.1	14
2.5.2	14
2.5.3	15
2.5.4	17
2.6	18
3	20
3.1	20
3.2	21
3.3	21
3.4	22
3.5	23

3.6	23
3.7	25
4	28
4.1	28
4.2	29
4.3	29
4.3.1	29
4.3.2	30
4.4	30
4.5	30
5	32
5.1	32
5.2	32
5.3	32
5.4	32

1.1



危险



警告



注意

1.1.1

1)

2)

3)

4)

2 1 1

1

5)

6)

" "

7)



1
2
3

" " " "

" " " "

" " " " " "

" "

1
2
3
4
5
6
7
8
9

" " " " "

"



" " " "

,



1.1.2













Compact flash card



注意



注意



警告



注意



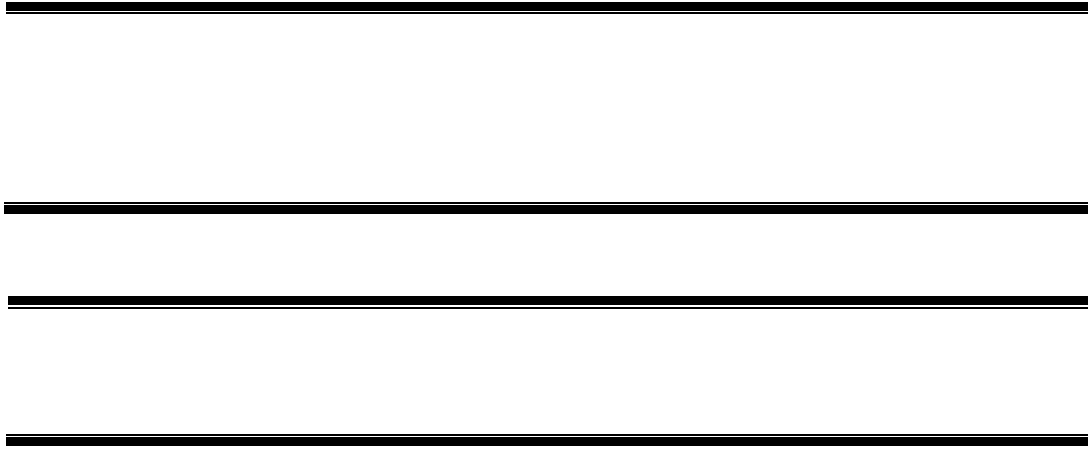
100%



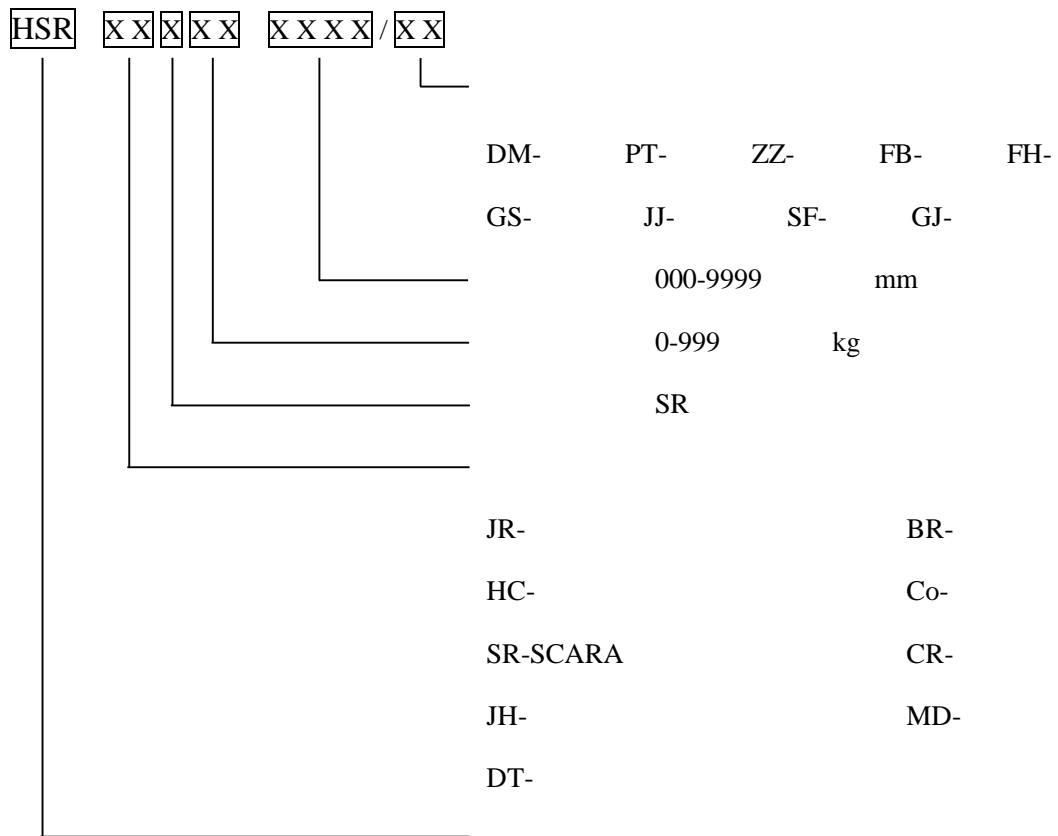
1.2



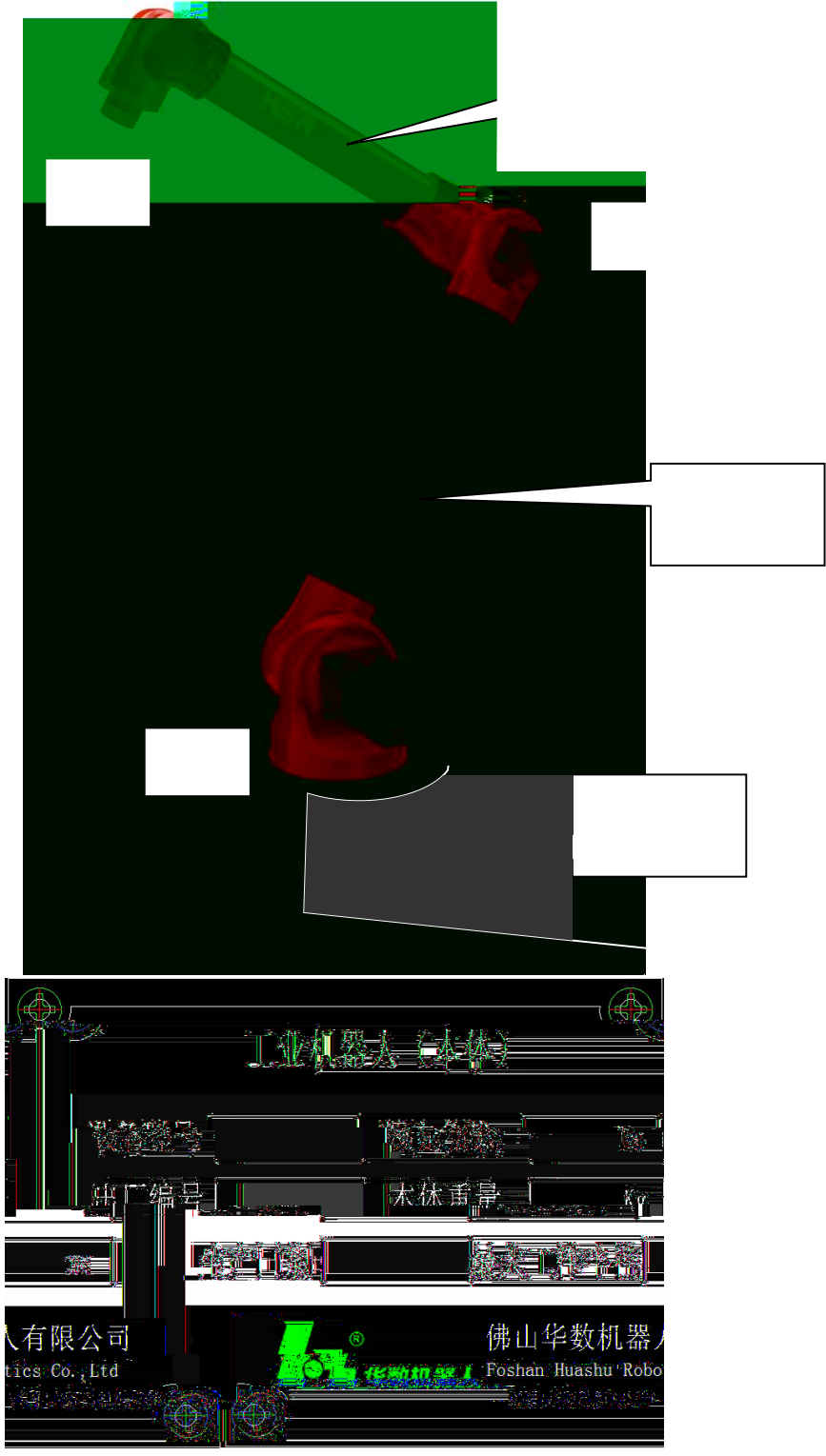
1.3



2.1



2.2



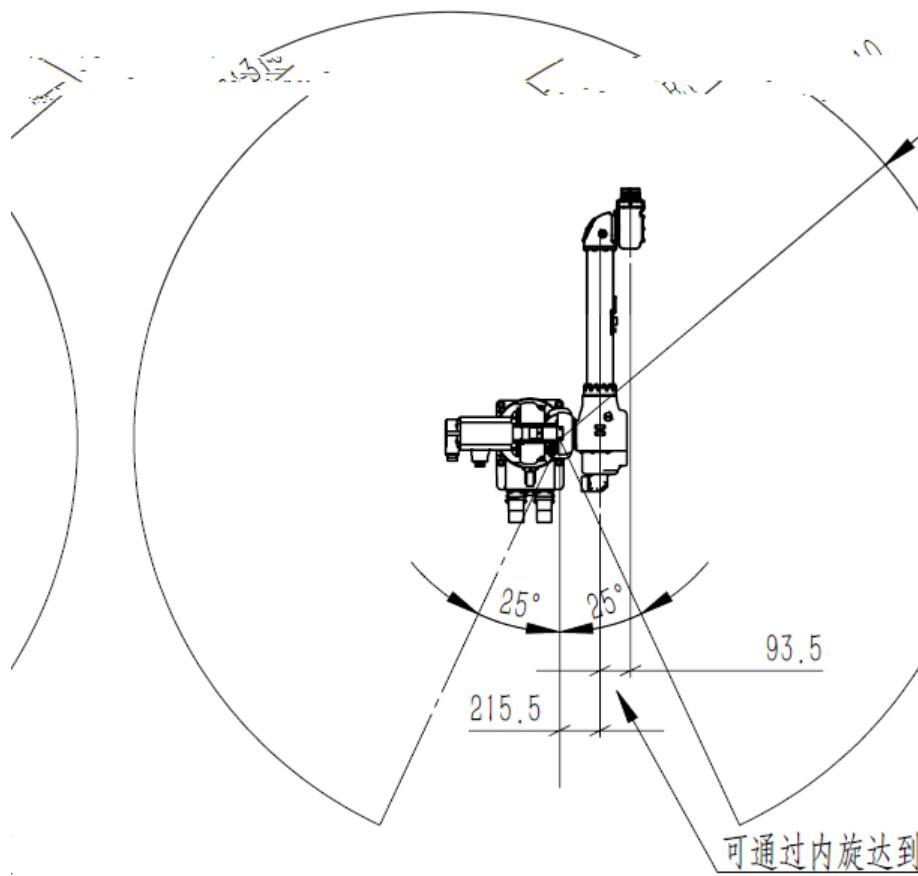
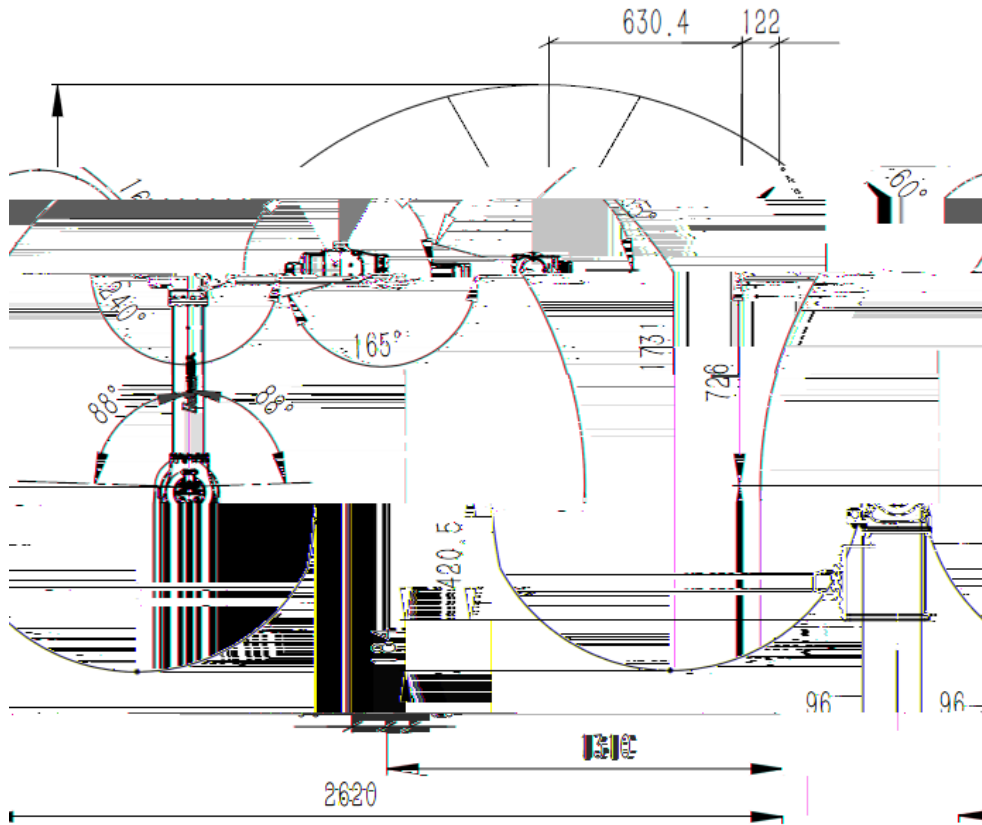
2.3

2.3.1

		°
-		

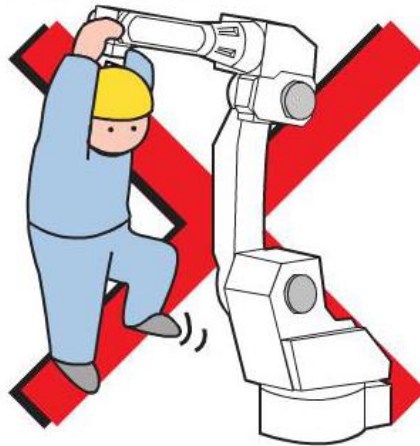
2.3.2

	°	HSR-BR610-1300
J1	-90	± °
J2	180	°
J3	0	
	0	± °
	0	± °
	0	± °



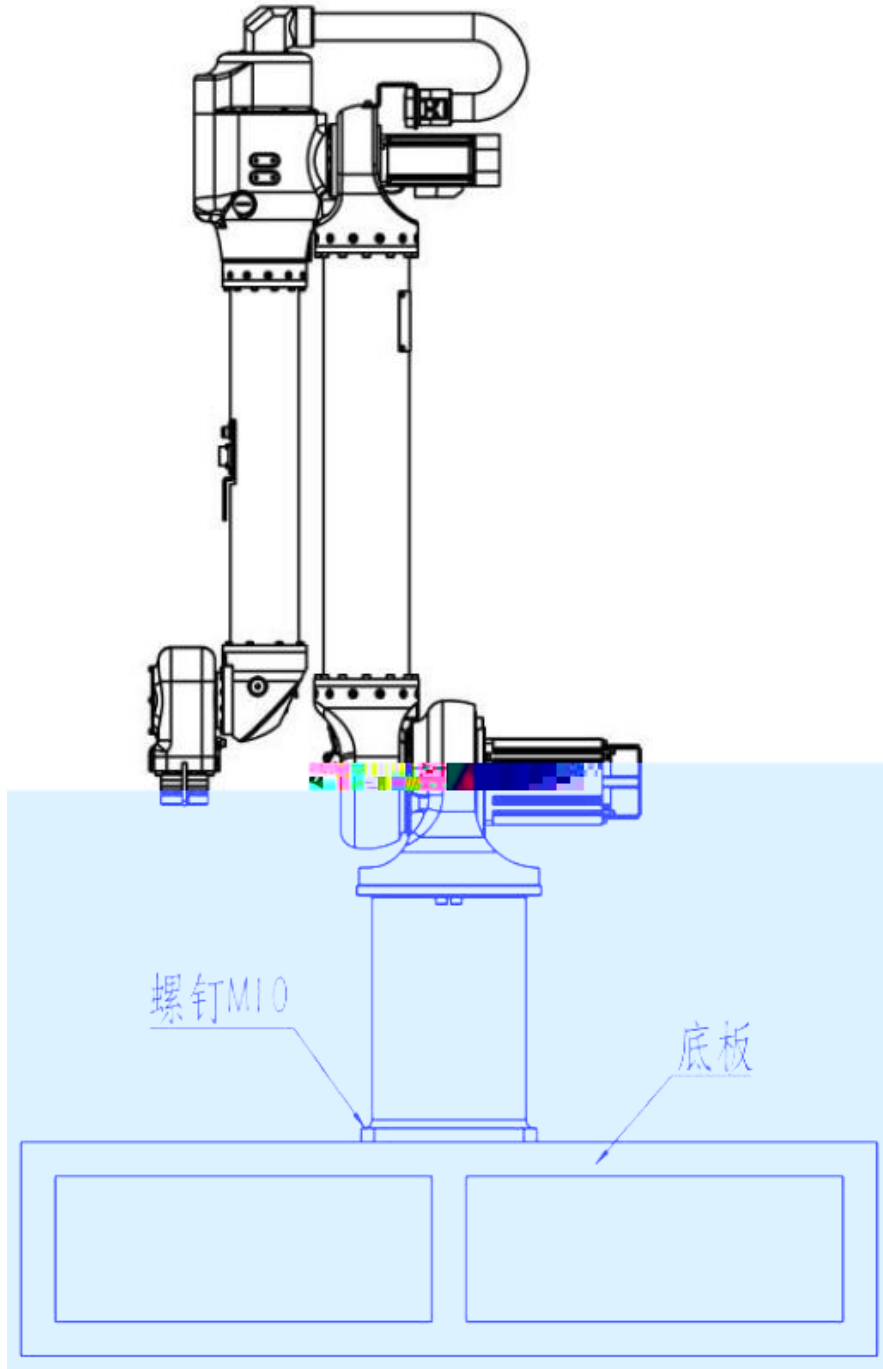
2.4

2.4.1



2.4.2

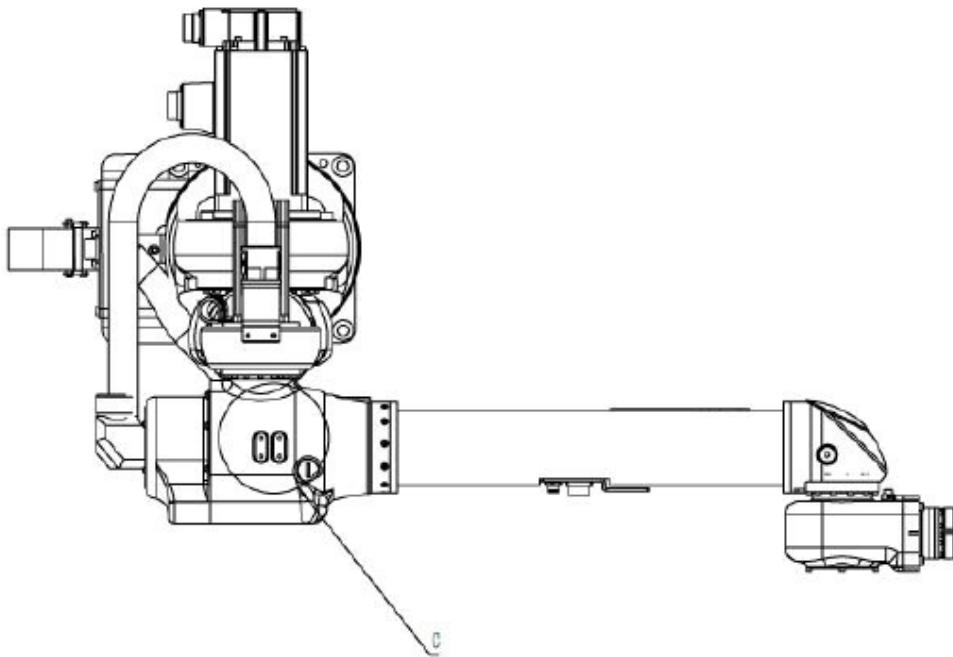
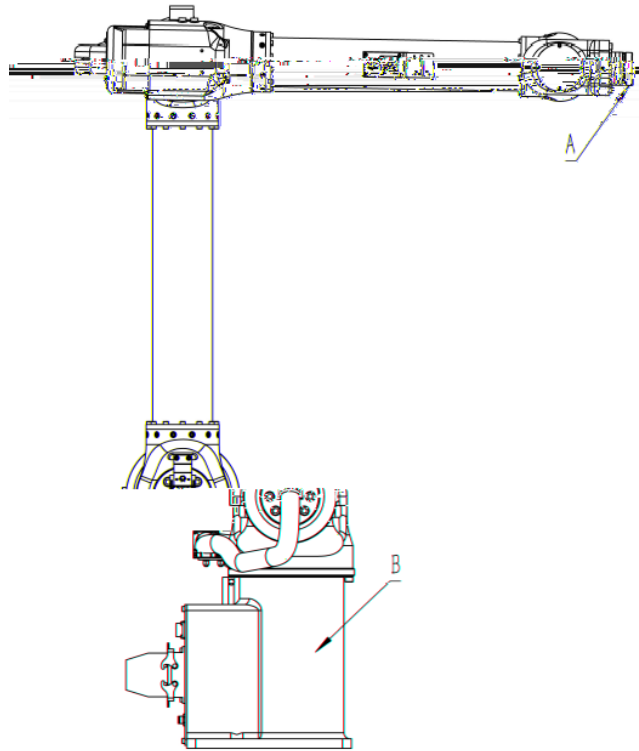




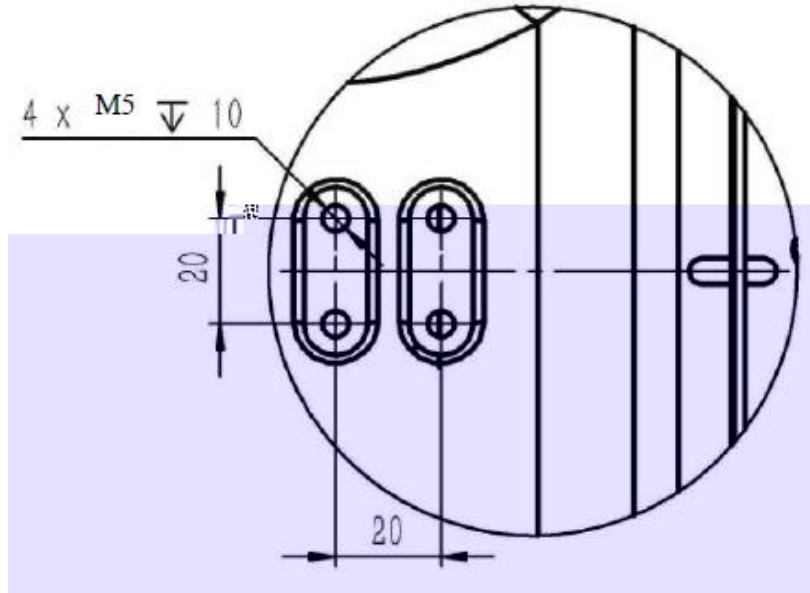
2.5



2.5.3



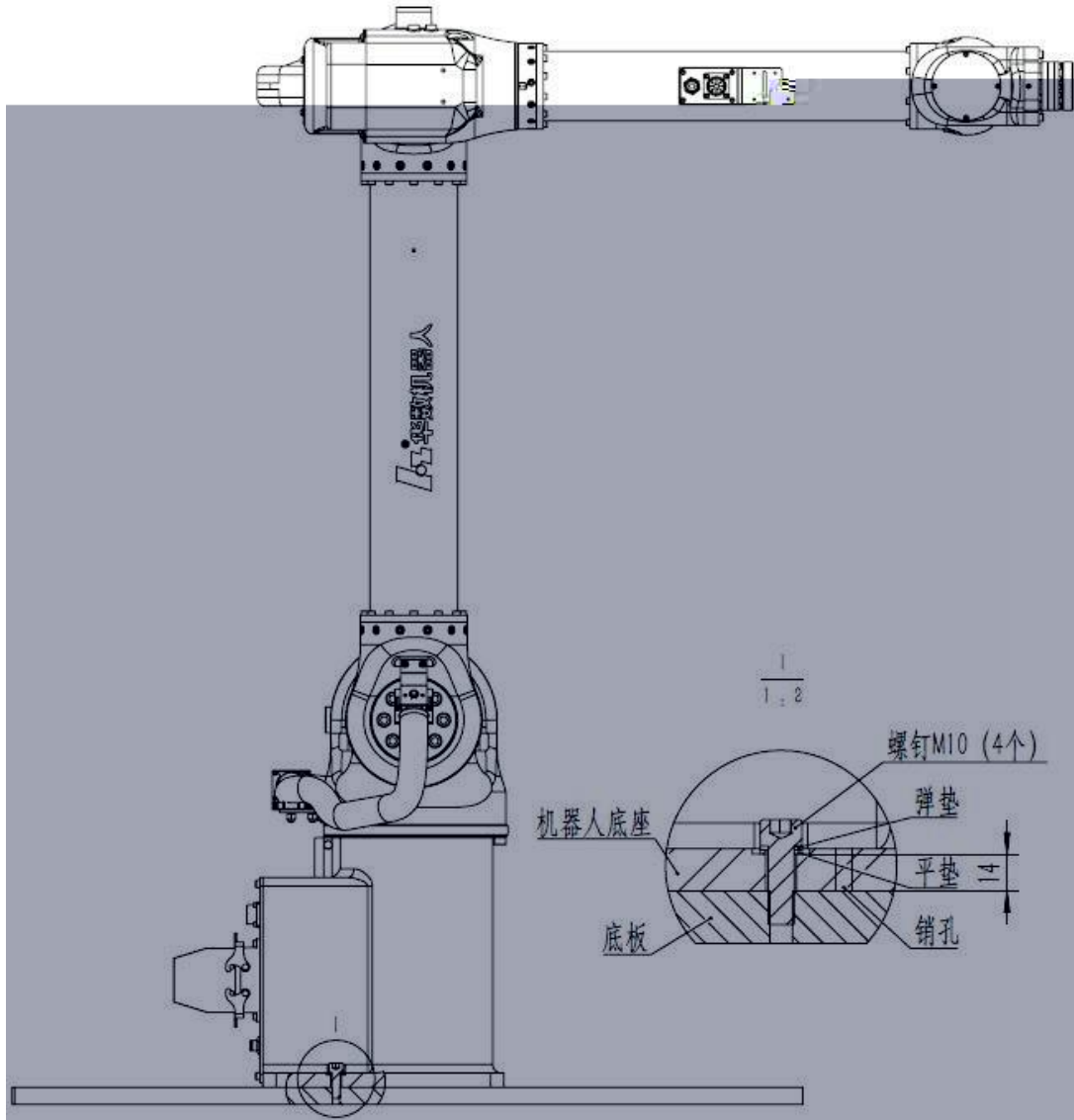
C
1 : 2



2.5.4

M10

2.8



2.8

2.6



1

2

3



8	*2								
9									
10									

*1

*2

3.2



3.3



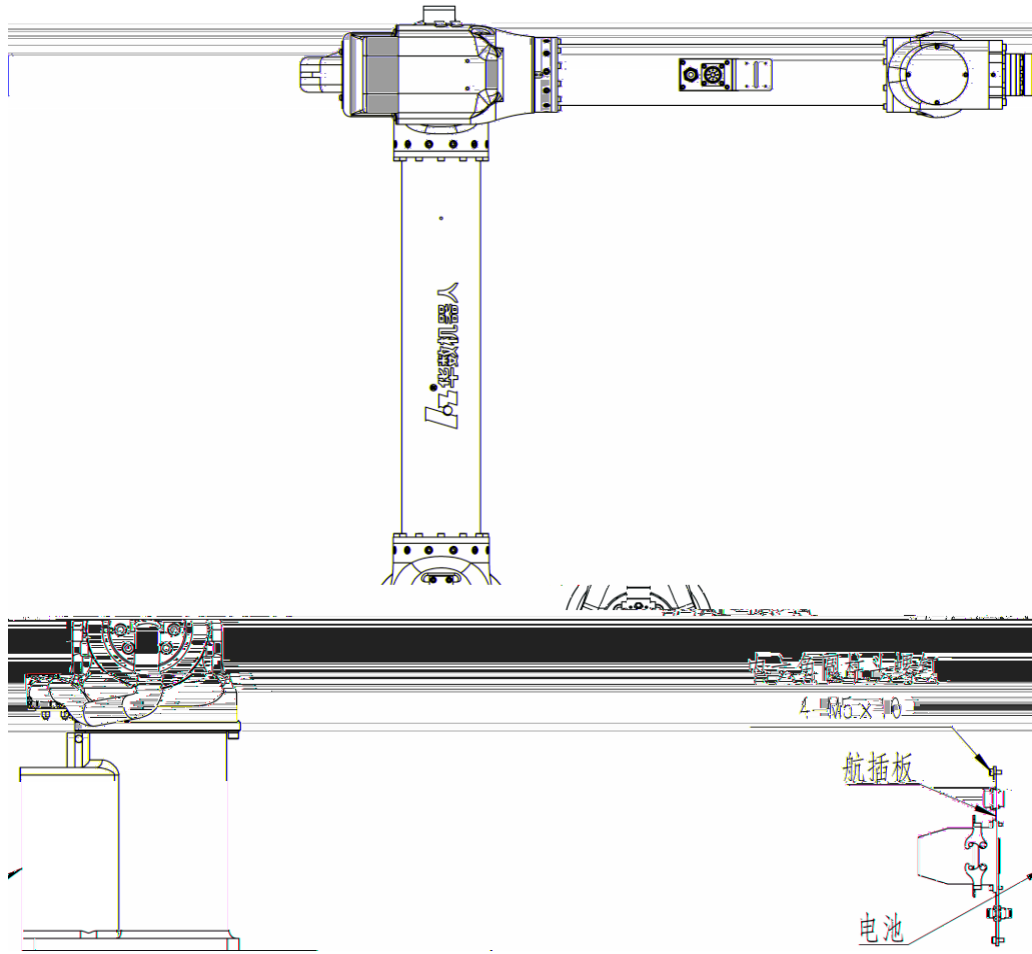
3.7



3.1

	5GT-360-10	
	3GT-210-10	J4

3.4



3.2

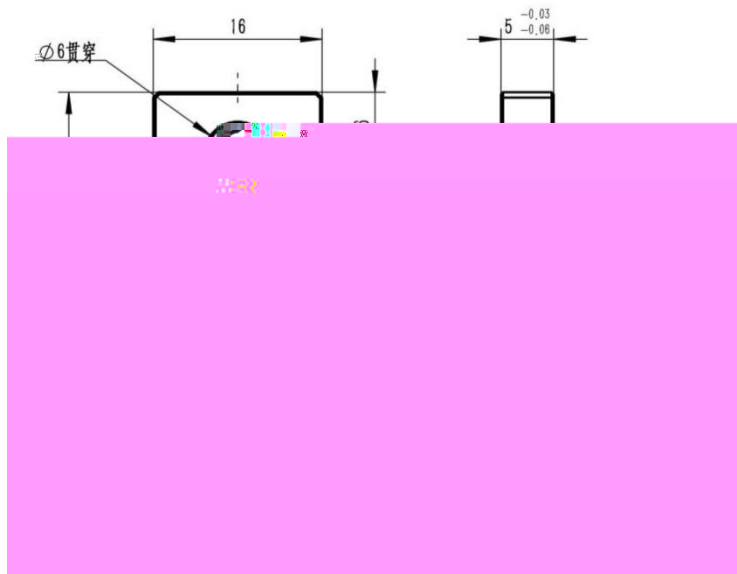
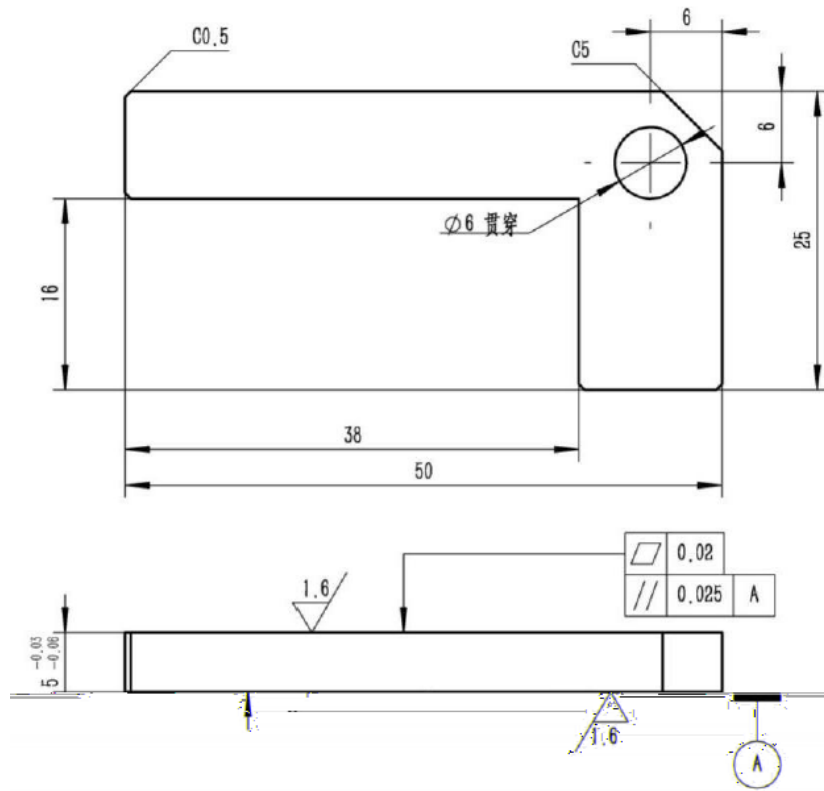
3.7



注意

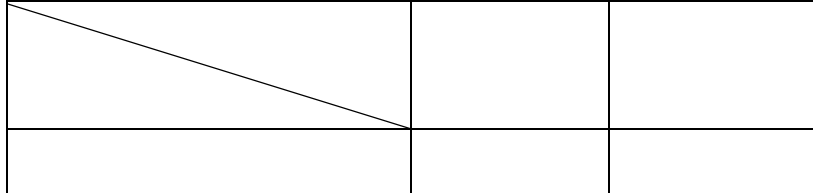






4.1

4.2



4.3.2

4.4

4.5

1)

2)

3)

4)

5)

6)

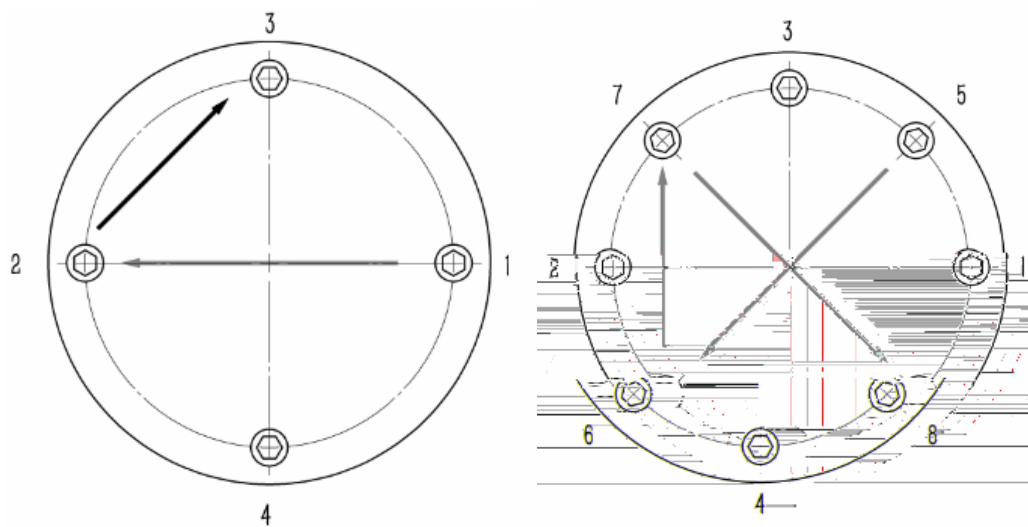
5.1

5.2

	5GT-360-10		
	3GT-210-10		

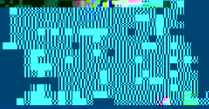
5.3

5.4





www.nscrobotics.com



www.nscrobotics.com

www.nscrobotics.com

www.nscrobotics.com

www.nscrobotics.com

www.nscrobotics.com

www.nscrobotics.com

www.nscrobotics.com

www.nscrobotics.com

www.nscrobotics.com

www.nscrobotics.com

www.nscrobotics.com

www.nscrobotics.com

www.nscrobotics.com

www.nscrobotics.com

www.nscrobotics.com

www.nscrobotics.com

www.nscrobotics.com

www.nscrobotics.com

www.nscrobotics.com

www.nscrobotics.com

www.nscrobotics.com

www.nscrobotics.com

www.nscrobotics.com

www.nscrobotics.com

www.nscrobotics.com

www.nscrobotics.com

www.nscrobotics.com

www.nscrobotics.com

www.nscrobotics.com

www.nscrobotics.com